

Technical Specifications VL-2500

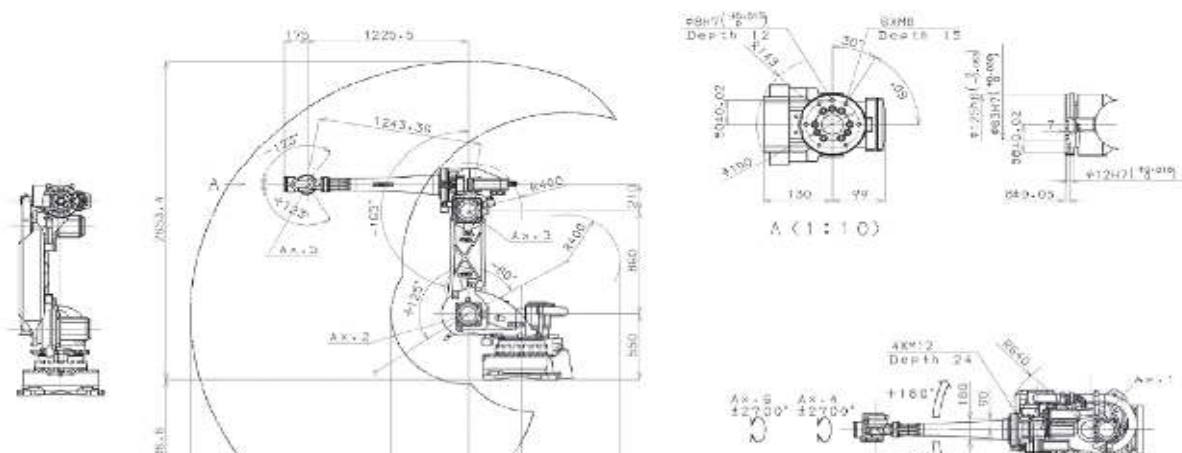
| Item | | Specifications |
|--|----------------|---|
| Model of robot unit | | VL-1500 |
| Axes | | 6 |
| Position detection | | Absolute encoder |
| Drive motor and brake | | All-axis servo motor / all-axis brake |
| Total arm length (No. 1 arm + No. 2 arm) | | 2085.5 (860 + 1225.5) mm |
| Maximum motion area(Point P) | | 2503 mm |
| Motion range *1 | J1 (No.1 axis) | 360 (±180*2) |
| | J2 (No.2 axis) | 185 (-60~125) |
| | J3 (No.3 axis) | 160 (-160~0) |
| | J4 (No.4 axis) | 5400 (±2700) |
| | J5 (No.5 axis) | 246 (±123) |
| | J6 (No.6 axis) | 5400 (±2700) |
| Maximum payload | | 40 kg |
| Maximum joint speed | J1 | 170 deg/sec |
| | J2 | 150 deg/sec |
| | J3 | 165 deg/sec |
| | J4 | 265 deg/sec |
| | J5 | 250 deg/sec |
| | J6 | 340 deg/sec |
| Position repeatability(at the center of an end-effector mounting face)(*2) | | ±0.06 mm |
| Maximum allowable moment | J4,J5 | 167 Nm |
| | J6 | 98 Nm |
| Protection grade | | Protected type : IP65 Protected type : IP67 (motors & wrist) |
| Weight | | Approx. 655 kg |

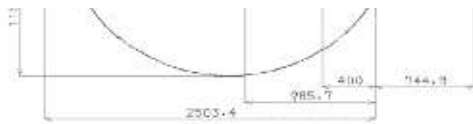
*1. For positive/negative directions, see dimensional drawing and range of operation drawing.

*2. When installed at an angle, the angle of operation will be subject to limitations.

*3. Can be used as Profibus, DeviceNet, or Profinet by connecting the multi-bus cable

External Dimensions for Standard Type Unit:mm





Standard Components

| Group | Item | Q'ty |
|--------------------------|---|-------|
| Robot & Accessoires | Robot unit | 1 |
| | Motor & encode cable (oprion) | 1 |
| | Sheet of direction indicator labels | 1 |
| | Connector set for hand signals (for CN20 and CN21) | 1 set |
| | Dowel pins (internally threaded positioning pin and diamond-shaped pin) | 1 set |
| Controller & Accessoires | Robot controller | 1 |
| | Power cable (5m) | 1 |
| | Pendantless conector (Dummy connector) | 1 |
| | Cable clamp | 1 |
| Software etc. | WINCAPS III trial version installer disc | 1 |
| | Manuals ("Manual Pack disc" and "Safety Precautions") | 1 set |
| | Warning label | 1 |