

anyfeed™ SXM140

Universal, programmable parts supply systems



Innovative, highly flexible feeder technology for all robots

- › Maximum availability thanks to automatic error correction
- › Minimal changeover times when changing products
- › Automatic parts emptying at the touch of a button
- › Minimal footprint– anyfeed replaces several conventional feeders
- › Exceptionally gentle parts handling
- › Standardized communication with all models
- › Simple serving thanks to the use of identical servo-electric drives in all models

Application area

Assembly, Inspection technology, Packing/Counting, Machine loading

Ideal for parts:



≤ 45 mm



≤ 0.15 mm



≤ 25 g



5-45 °C



Dry

System requirements: In addition to the selected anyfeed model, the following must be provided: required for a flexible feeding solution: robot with gripper, vision system (we recommend feedware CX / Cognex In Sight from Flexfactory), lighting, base plate for the combination of all components, robot application for the movement sequence and the data exchange between vision system.

anyfeed™ feeder systems for robots

anyfeed flexible bulk parts feeders singulate and deliver bulk parts into the pick up zone of an industrial robot. Part flow and re-orientation of parts in the feeder is controlled by feedware CX – a Cognex In Sight based vision solution specifically developed and optimized by flexfactory for flexible part feeding applications. The universal bulk parts feeding solution is in operation with over 18 commercially available robot brands.



feedware™ CX-Software solution

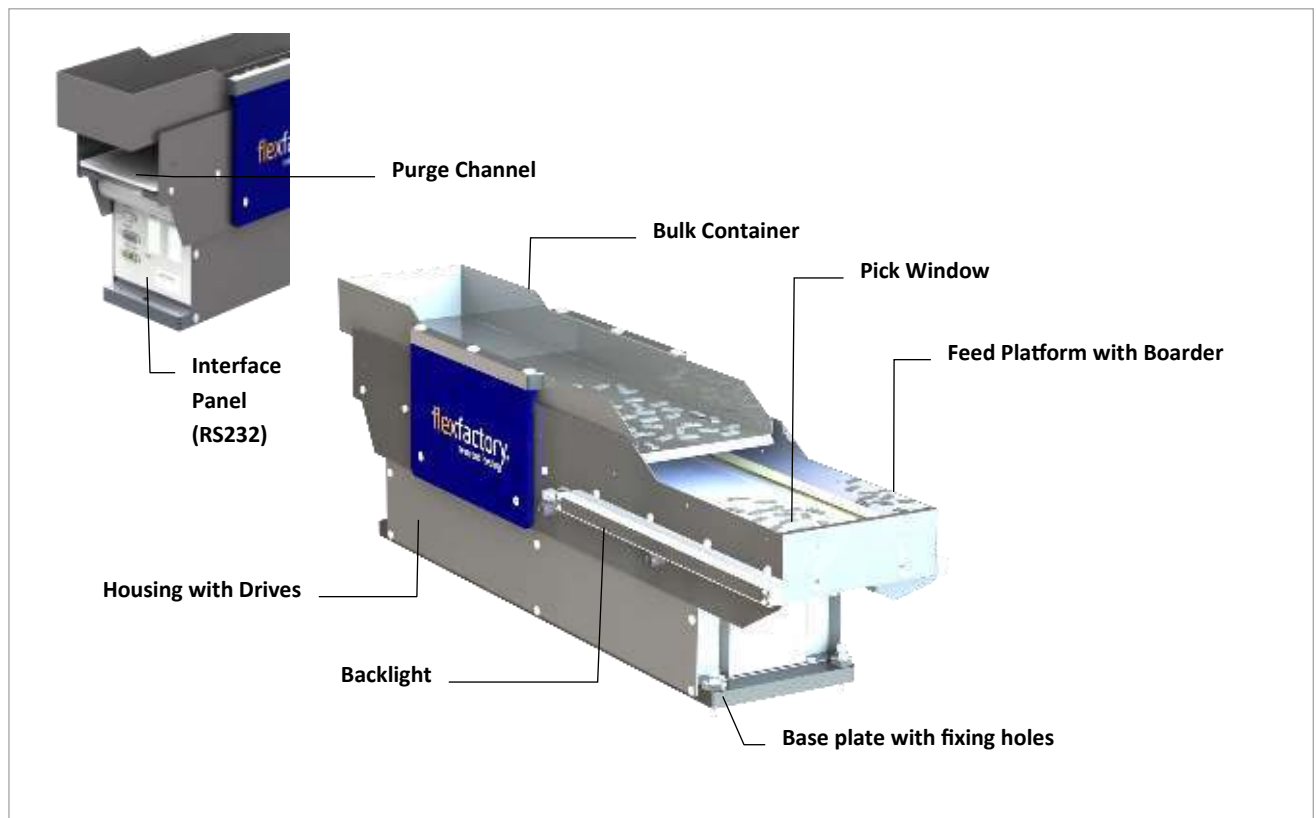
It is the ideal end-proven solution for turning any anyfeed model and any robot into a complete parts supply system – in next to no time and with the greatest of ease. The Cognex In Sight camera installed above the window identifies correctly oriented parts and transfers the picking coordinates to the robot's control system.

feedware CX continuously monitors the parts in the pick window and sends action commands to the anyfeed telling it to make more parts available for the robot. feedware CX is also responsible for teaching the system to handle new parts, parameterizing feed characteristics, calibrating robot to vision coordinates, and defining pick points and clear grip zones.

flexfactory supplies the full package, including a Cognex In Sight camera with feedware CX preloaded. The company also provides the appropriate lighting and optics and helps customers get the entire solution up and running.



Part description



Electrical Connections - anyfeed SXM 140 (IF2011)

Label	Function	Connec-tingtyp	Pin	Allocation	Cabel
J1	Motor Power	D-Sub-M, 2+5, Male	A1	24VDC in	Nr.1 (red)
			A2	GND	Nr.2 (blue) Schirm
J2	RS232	D-Sub 9, Female	2	Tx	D-Sub 9, Male - Female
			3	Rx	
			5	GND	
J4	Aux I/O	D-Sub 15, Female	1	Trigger out	
			4	GND	
			5	GND	
			6	24VDC oLT	
			7	24VDC oLT	
			8	P'ck in	
			9	Flash in	
			14	Error Drive 1	
15	Error Drive 2				



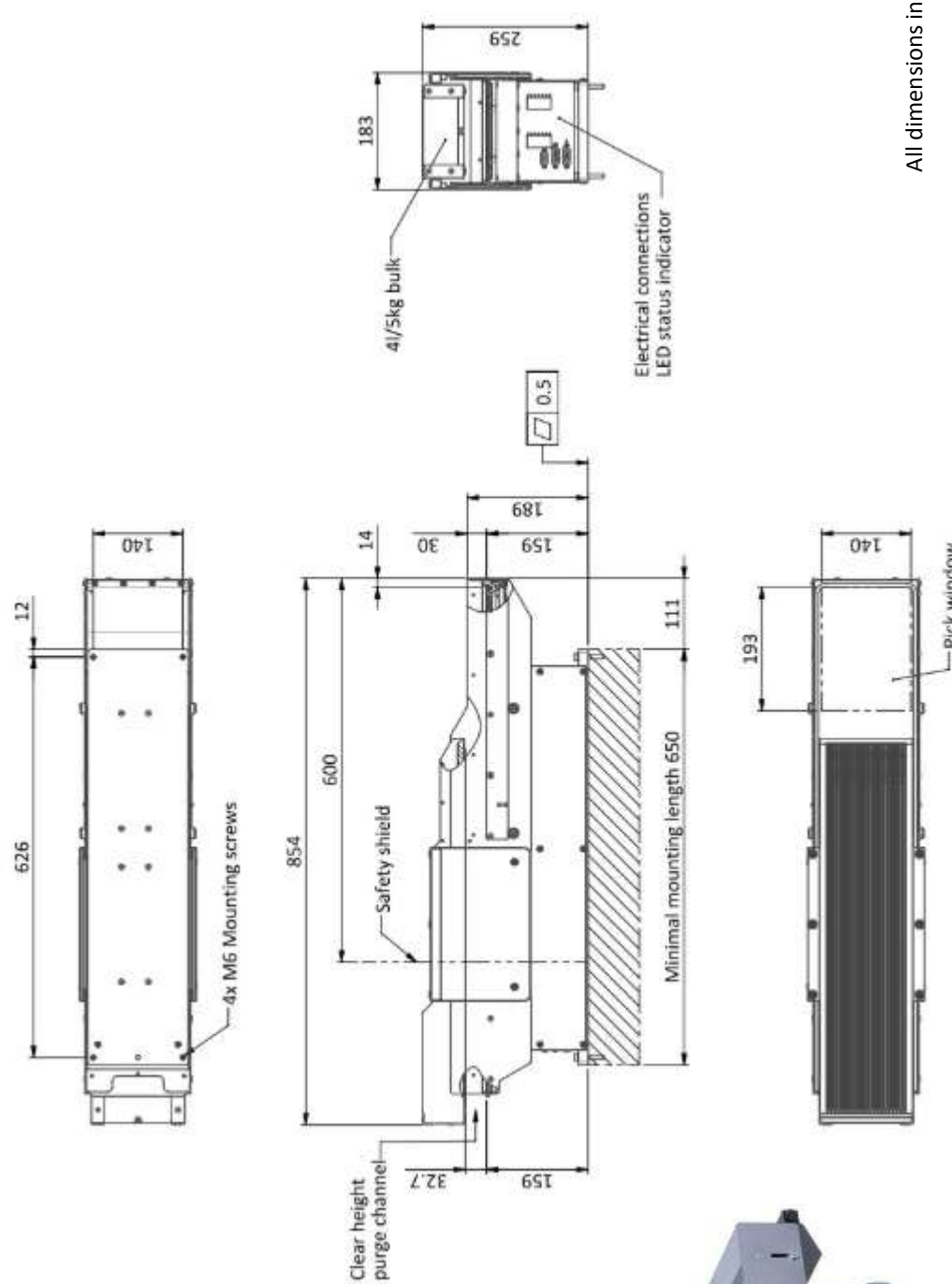


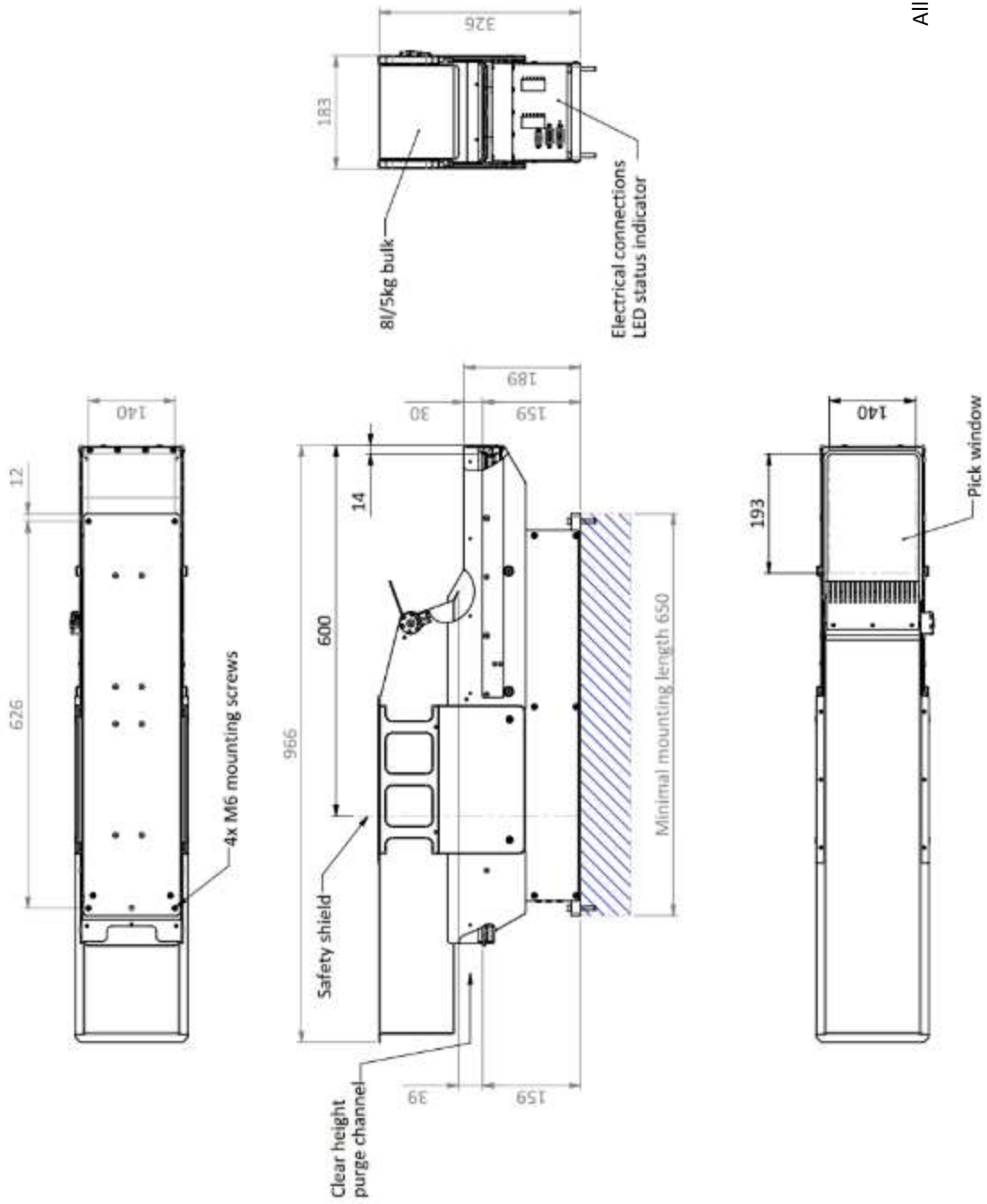
Technical Specifications

Capacity Bulk Container	4 dm ³
Field of Vision (FOV)	140x193 mm
Pick-Up Area	270 cm ² (14x19.3cm)
Unevenness Pick-Up Area	0.3 mm
Repeat-precision Feederplatform in z	± 0.05 mm
Max. weight on surface (FOV)	500 g
Plate level (parts)	160 mm
Border height	28 mm
Light height of Purge Channel	34 mm
Power Requirements	24 V/ 10 A
Typical consumption	100 W (depending on operating mode)
Compressed Air	-
Eccentricity Feed Surface	± 3.5 mm (Maximum stop from initial position)
Eccentricity Bulk Container	± 2 mm
Interface	RS232 (DSub9 Female)
Drive	2 brushless servo drives 130W
Temperature	5-45 °C
Humidity	95 % non- condensing
Weight	22kg

Standard Materials

Housing with Drives	WN 1.4301
Feeder Platform	WN 1.4301
Border Feeder Platform	WN 1.4301
Bulk Container	WN 1.4301
Feed Surface	POM-C Natur

<p>Item Nr.</p> <p>900-000-219</p>	<p>Description</p> <p>anyfeed™ SXM140 3I</p>	
<div style="display: flex; justify-content: space-around; align-items: center;">   </div> <p style="text-align: right;">All dimensions in mm</p>		



All dimensions in mm

Description

anyfeed™ SXM140 8I

§

Item Nr.

900-001-170